



GPS/DGPS Navigator

KGP-913MkII / 913MkIID

**Superior Positioning Accuracy
with SBAS Correction!**



FEATURES

SBAS enabled

SBAS, Satellite Based Augmentation Systems, are fully operated in USA (WAAS), Europe (EGNOS) and Asia (MSAS).

Precise and quick positioning

Parallel 18-channel receiver provides precise and quick positioning at any time.

Differential GPS (KGP-913MkIID)

KGP-913MkIID has built-in beacon receiver. It can be used as a high-accuracy differential GPS navigator. Beacon stations all over the world are pre-installed (in countries where differential beacons are located).

SPECIFICATIONS

GPS receiver section (KGP-913MkII/913MkIID common)

Receiving frequency	1575.42 MHz ± 1 MHz	
Receiving channel	Parallel 18-channel	
Receiving code	C / A code	
Sensitivity	Better than -130 dBm (elevation angle: 5° or over)	
Accuracy	10 m 2 drms (GPS), 3 m 2 drms (DGPS / SBAS)	
(PDOP: 3 or less)	Position	0.1 kt rms
	SOG	±3° (SOG 1-17 kt), ±1° (SOG>17 kt)
	COG	

Note: Accuracy is subject to change in accordance with DoD civil GPS user policy.

Beacon receiver section (KGP-913MkIID only)

Receiving frequency	283.5 to 325.0 kHz
Channel separation	500 Hz step
Modulation	MSK: 50, 100, 200 bit/sec
Sensitivity	2.5 µV / m (at BA-02)
Signal detection (S / N)	Better than 6 dB
Dynamic range	92 dB

Display section (KGP-913MkII/913MkIID common)

Display	LCD with backlight (128 x 64 dots, effective picture area: 85.71 x 54.35 mm)
Presentation mode	Standard text (NAV1), Navigation graph (NAV2), 3-D Highway (NAV3), Simple plotter (PLOT)
Position data display	Latitude / longitude in increments of 0.0001 min, converted Loran C LOP, converted Loran A LOP or converted Decca LOP
Instant (event) memory	200 points (Incl. one MOB point)
Waypoint memory	200 points (usable as waypoint)
Route memory	20 routes (Max. 400 waypoints) reverse trail possible
Alarm	Arrival proximity, cross track error, CDI, anchor watch, DGPS, GPS
Position compensation	Latitude / longitude, Loran C LOP, Loran A LOP, Decca LOP or Datum
Magnetic compensation	Auto or manual
Output data format and Sentences (KGP-913MkII: NMEA 0183 only)	NMEA 0183 (AAM, APB, BOD, BWC, DCN, GGA, GLC, GLL, GSA, GSV, GTD, MSS, ODA, RMB, RMC, Rnn, SGR, SNU, VTG, WDC, WPL, XTE, and ZDA), NMEA 1, NMEA 2, CIF, SHIPMATE 0183
Input data format	RTCM SC104 Ver. 2.0, NMEA 0183 *
Power supply	10.8 to 31.2 VDC
Power consumption	6.0 W or less (KGP-913MkIID), at 24 VDC 4.5 W or less (KGP-913MkII), at 24 VDC

* When GPS source is selected as EXT

Display section (KGP-913MkIID only)

Differential	ON, OFF, AUTO
Beacon station selection	Auto (requires position information) or manual
Beacon station data	User entry (20 stations), beacon almanac data (10 stations), ROM (built-in stations around the world)
Operating temperature	Antenna coupler: -25°C to +55°C (-13°F to 131°F)

Environmental

Water protection	Display unit: IPX4 Antenna unit: IPX6
Operating temperature	Display unit: -15°C to +55°C Antenna unit: -25°C to +55°C

EQUIPMENT LIST

Standard Equipment List (KGP-913MkII/913MkIID common)

Display unit		With vinyl cover and mounting bracket
Antenna unit	GA-08	For GPS reception, with 10 m antenna cable Connected to GA-08 / BNC connector
	GA-08L	For GPS reception, with 15 m antenna cable Connected to GA-08L / BNC connector
DC power cable	CW-266-1.8M	With a connector, waterproof cap
Operation manual, Installation material, Fuse		

Standard Equipment List (KGP-913MkIID only)

Antenna coupler	BA-02	For beacon reception, with 10 m antenna cable Connected to BA-02 / BNC connector
	BA-02L	For beacon reception, with 15 m antenna cable Connected to BA-02L / BNC connector

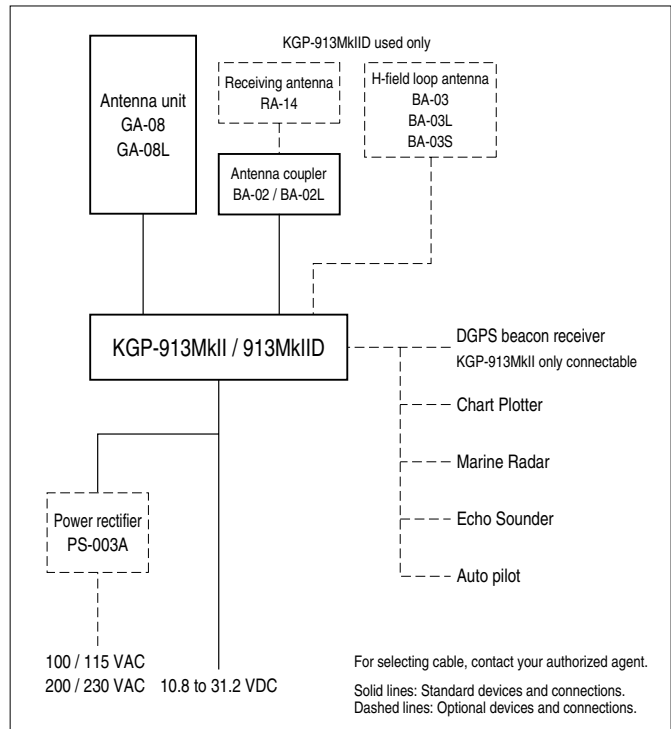
Options (KGP-913MkII/913MkIID common)

Connecting cable, Power rectifier, AC power cable, Flush mount kit, Antenna holder

Options (KGP-913MkIID only)

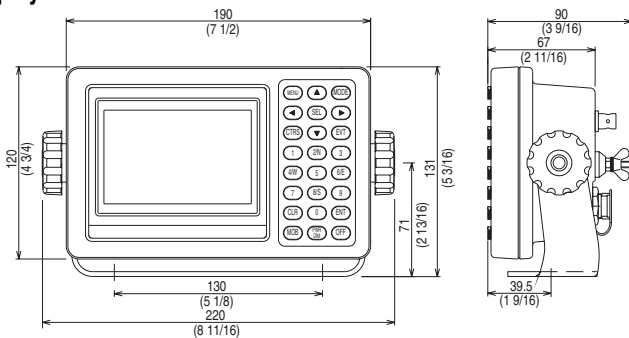
Receiving antenna	RA-14
H-field loop antenna	BA-03, BA-03L, BA-03S

CONNECTIONS



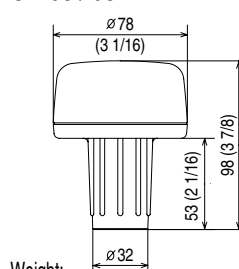
DIMENSIONS AND WEIGHT

Display unit



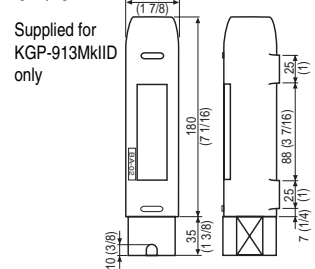
KGP-913MkII: 0.86 kg (1.9 lb), KGP-913MkIID: 0.96 kg (2.1 lb)

Antenna unit (GPS) GA-08 / 08L



Weight:
0.19 kg (0.42 lb)
0.62 kg (1.4 lb) including cable (10 m)
0.81 kg (1.8 lb) including cable (15 m)

Antenna coupler (beacon) BA-02 / 02L



Weight: 0.4 kg (0.89 lb)
0.85 kg (1.9 lb) including cable (10 m)
1.2 kg (2.7 lb) including cable (15 m)

• Design and specifications are subject to change without notice.

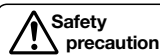
KODEN Koden Electronics Co., Ltd.

Tamagawa Office:
2-13-24 Tamagawa, Ota-ku, Tokyo, 146-0095 Japan
Tel: +81-3-3756-6501 Fax: +81-3-3756-6509

Uenohara Office:
5278 Uenohara, Uenohara-shi, Yamanashi, 409-0112 Japan
Tel: +81-554-20-5860 Fax: +81-554-20-5875

overseas@koden-electronics.co.jp

www.koden-electronics.co.jp



Safety precaution

To ensure proper and safe use of the equipment, please carefully read and follow the instructions in the Operation Manual.

For details, please contact: